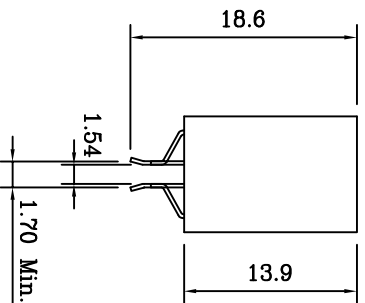
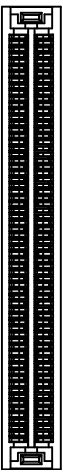
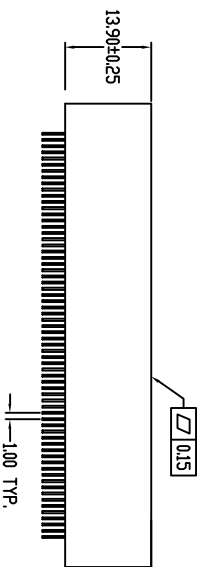
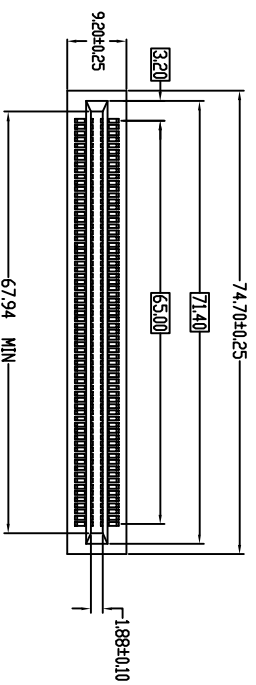


## MATERIALS

- \* Body : P.C.T. (ul-94V-0)
- \* Contact : phosphor Bronze
- \* Contact plating : Gold flash in contact area  
Tin / Lead on tails



B	6-19-03	BC	Revised body angle	DESCRIPTION
REV.	DATE	CHK		
San Marcos, CA		Fax: 760 744-6081		
Tel: 760 744-0125		www.SullinsElectronics.com		
DRAWN	DESCRIPTION		AGP Imm Edge Card	
APP.	PART NUMBER	IPWE066DKRN-TAGP		
SCALE	SIZE	SHEET		REV.
NTS		1 of 1		B

# SULLINS ELECTRONICS CORP.